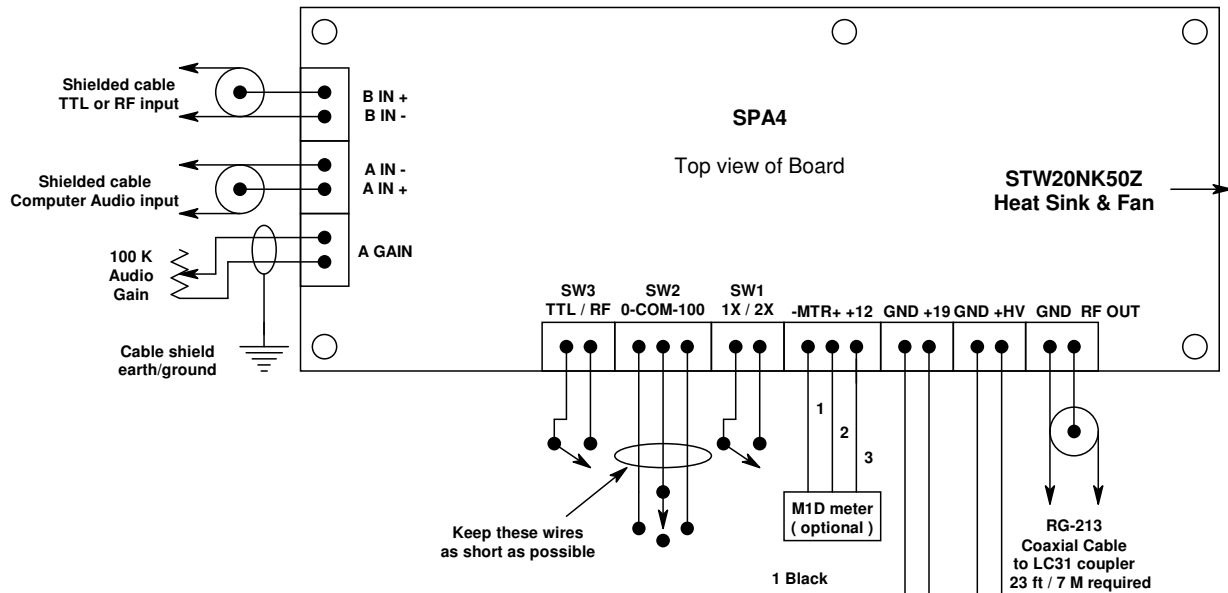
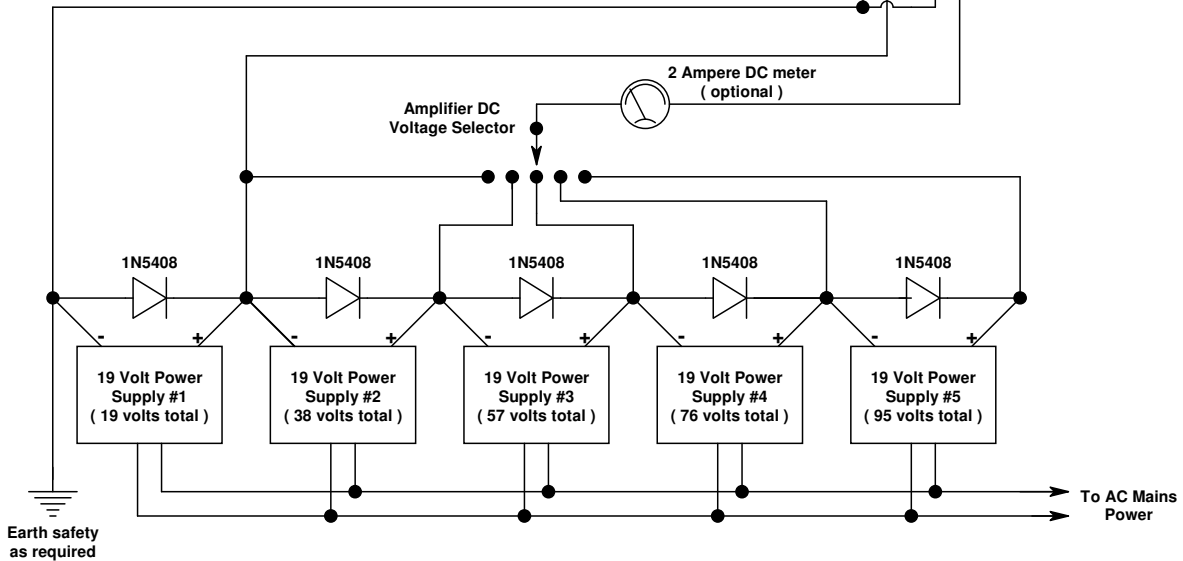


Spectrotek Services
SPA4 Plasma Tube Signal Processor and Amplifier
 External Connections
 Copyright (c) 2014 by Ralph M. Hartwell II
 23 May 2014
 File name - MASTER8



NOTE: All GND and (-) terminals are connected together and may be grounded / earthed.



Five power supplies are shown for a total amplifier DC voltage of 95 volts. More power supplies may be added as required for higher voltages. The maximum DC voltage allowed is 190 volts. The power supply system should be current limited to about 3.5 amperes.